

30 A

500 V
U MAXI

INDUSTRIAL PLUG PN



IP66
IP67



1-6 mm² (1)
1,5-10 mm² (2)



GRP
METAL



IK09



-40 °C
+60 °C



EMC
METAL

(1) Flexible wiring (min.-max.).
(2) Stranded wiring (min.-max.).



Other configurations
on request

GRP devices are not
compatible with metal
devices.



For a black colour
GRP housing replace
the second reference
character with 5.

Dual-voltage
socket-outlet
(see p. 11)



20-24 V AC	2P	01N408A	01N808A
220-250 V AC	1P+N+E	01N4015	01N8015
380-440 V AC	3P+E	01N4013	01N8013
220-250 V AC 380-440 V AC	3P+N+E	01N4017	01N8017
480-500 V AC	3P+E	01N4093	01N8093
480-500 V AC	3P+N+E	01N4097	01N8097

► Other currents, voltages, frequencies and contact configurations are available (see page 14).




20-24 V AC	2P	09N408A	09N808A
220-250 V AC	1P+N+E	09N4015	09N8015
380-440 V AC	3P+E	09N4013	09N8013
220-250 V AC 380-440 V AC	3P+N+E	09N4017	09N8017
480-500 V AC	3P+E	09N4093	09N8093
480-500 V AC	3P+N+E	09N4097	09N8097

► Other currents, voltages, frequencies and contact configurations are available (see page 14).

OPTIONS Reference


INDUSTRIAL/DOMESTIC ADAPTERS

Industrial inlet MARECHAL® 1P+N+E and domestic socket-outlet 10/16A 230 V fuse protection 10A and 16A (with integrated fuse). All these plug adapters are available to local standards: replace D11 by D40 for UK, D30 for Germany/Netherlands/Luxembourg, D06 for Italy.




01N8015D11

LOCKING FOR 1 PADLOCK Ø 4 mm (WITHOUT SHAFT)




Ref. + 843

SCREW LOCKING IMPRINT BTR 2,5



Ref. socket + 22

REVERSED INTERIOR AND CONTACTS



The connector is supplied with a rubber inlet cap.


Ref. conn. + 001
Ref. socket + 001

IP55 SOCKET-OUTLET SELF-CLOSING LID




Replace N by S
Ex: 400 V 3P+N+E
poly = 01S4017

INLET CAP IP66/IP67



01NA426

180° OPENING LID



Ref. socket +10

SELF CLOSING/SELF RETURNING LID




Socket-outlet ref.+R

180° OPENING + SELF-RETURNING LID



Ref. socket +18

ELECTROMAGNETIC COMPATIBILITY (EMC) ● **NEW**





Please order a metal threaded accessory herewith, together with a EMC cable gland to be found on page 318.

PRODUCTS AVAILABLE IN BLACK ●

The black dot means these products are also available in black color. Replace the second character of the product reference with 5



PRODUCT WITH ANTI-BACTERIAL TREATMENT ● **NEW**

This sticker means that the product is also available with an antibacterial treatment. Add the suffix AG to the reference. For more information on anti-bacterial treated handles please consult us.


SLEEVE	$\angle x^\circ$	Ref.	EMC Option
POLY SLEEVE ●			
	30°	511M3	/
	70°	511M7	/
METAL SLEEVE ●			
	0° (Straight)	591M0	Ref. +EMC
	30°	591M3	Ref. +EMC
	45°	591M4	Ref. +EMC

BOXES $\angle x^\circ$ Input Ref.


POLY BOX

	0° (Straight)	M20	511B0M20
	0° (Straight)	M25	511B0M25
	30°	M20	511B3M20
	30°	M25	511B3M25

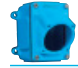
METAL BOX (+ EARTHING WIRE) ●

	0° (Straight)	M20	591B0M20
	0° (Straight)	M25	591B0M25

POLY BOX + POLY SLEEVE

	70°	Without hole	511C7000
	70°	Hole Ø 20	511C7M20
Earth bar ref. : 51AA089	70°	Hole Ø 25	511C7M25
	70°	Hole Ø 32	511C7M32

METAL BOX (+ EARTHING WIRE) + POLY SLEEVE ●

	30°	M20	511C3M20
---	-----	-----	----------

METAL BOX (+ EARTHING WIRE) + METAL SLEEVE ●

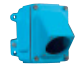



	45°	M20	591C4M20
	45°	M25	591C4M25
	45°	M32	591C4M32


Table of cable glands on page 318.

HANDLE Input/Cable outer Ø Ref.


POLY HANDLE WITH GLAND ● ●

	9-18 mm	511P0D18
	5-21 mm	511P0D21
	60° 9-18 mm	511P6D18


POLY HANDLE + POLY CABLE GLAND ● ●

	5-12 mm	511P020P
	9-18 mm	511P025P
	14-25 mm	511P032P


METAL HANDLE WITH METAL GLAND (+ EARTHING WIRE)

	7-13 mm	591P020M
	8-16 mm	591P025M
	16-24 mm	591P032M

POLY HANDLE (PE PAGE 318) ●

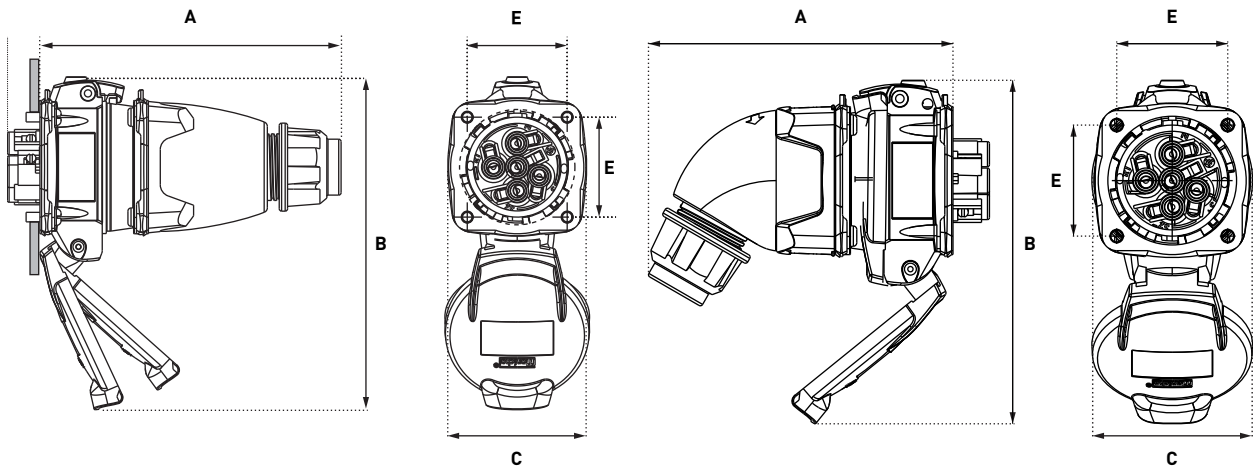
	M20	511P0M20
	M25	511P0M25
	M32	511P0M32

METAL HANDLE METRIC THREAD ENTRY (PE PAGE 318) ● ●

	M20	591P0M20
	M25	591P0M25
	M32	591P0M32

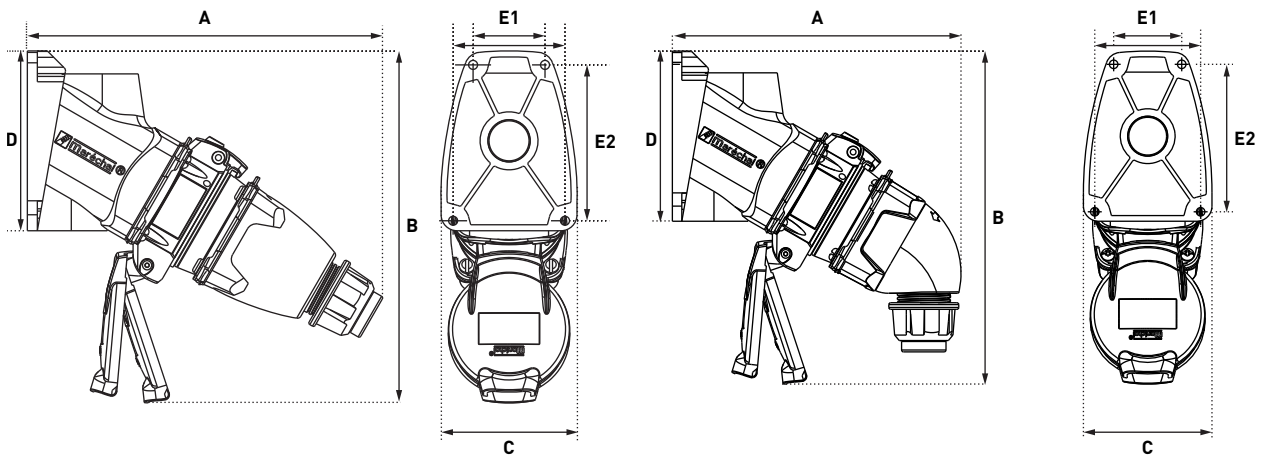
DRAWINGS AND DIMENSIONS

PLUG ON SOCKET-OUTLET



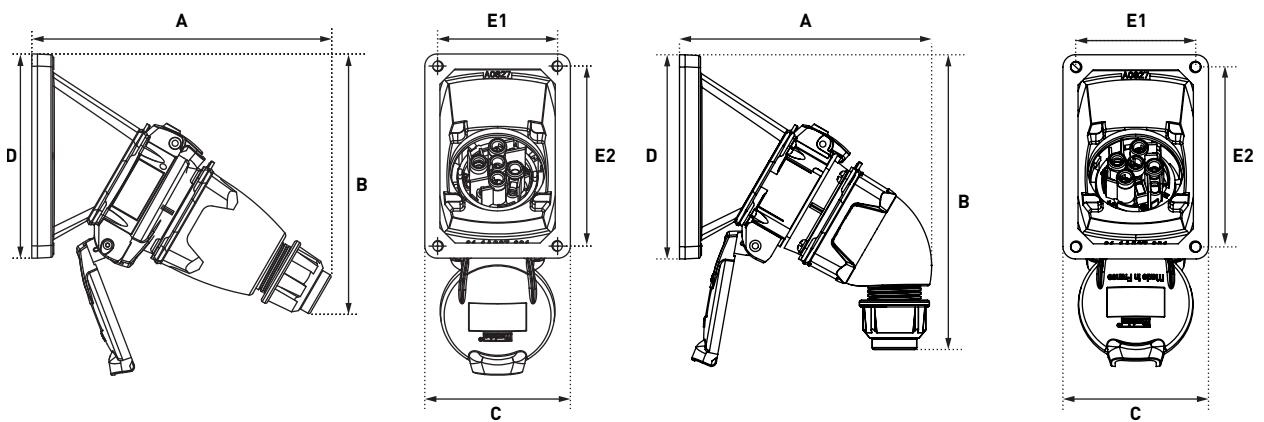
	A	B	C	E
Straight handle	127	140	58	42
Angled handle	117	138	61	42

PLUG ON 30° WALL MOUNTED SOCKET OUTLET



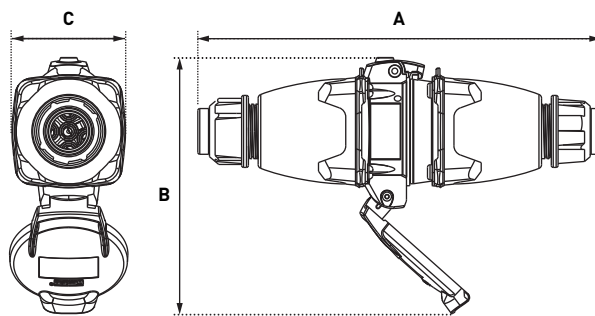
	A	B	C	D	E1	E2
Straight handle	178	176	68	90	36/56	78
Angled handle	153	176	68	90	36/56	78

PLUG ON 30° INCLINED SOCKET-OUTLET



	A	B	C	D	E1	E2
Straight handle	160	170	77	108	64	95
Angled handle	133	165	77	108	64	95

COUPLER



	A	B	C
Straight handle	208	132	58